

Back

- o Flat Cable Connectors SEK
- o *har-mik®*
- o D-Sub
- o InduCom

➔ Applications



Product details

09 21 015 3001

Male insert, Han 15 D

Series	Han D®, Han D® AV
Number of contacts	15 poles + PE
Size of hood/ housing	Han® 10 A
Termination	Crimp termination
Insert material	Standard material
Contacts	Order separately
Electrical data	10 A 250 V 4 kV 3
RoHS compliant	Yes

Available Downloads

Title	Format	
Data sheet	PDF	↕ download
CAD data 2D	DXF	↕ download
CAD data 3D	IGES	↕ download
CAD data 3D	STEP	↕ download

Inquiry

5

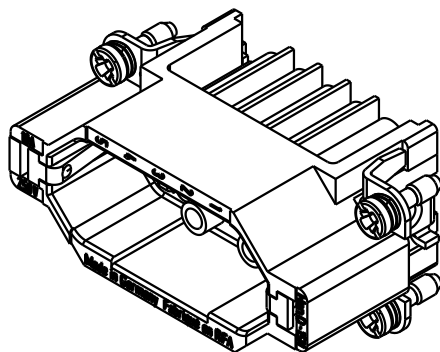
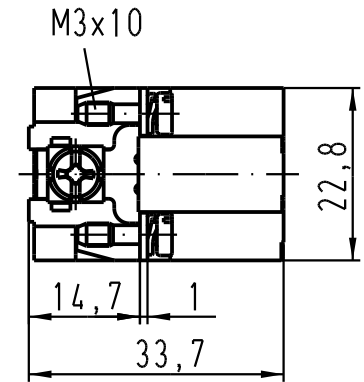
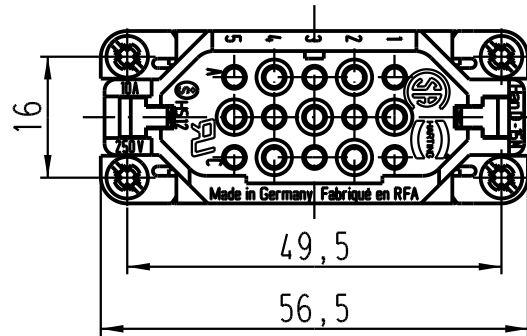
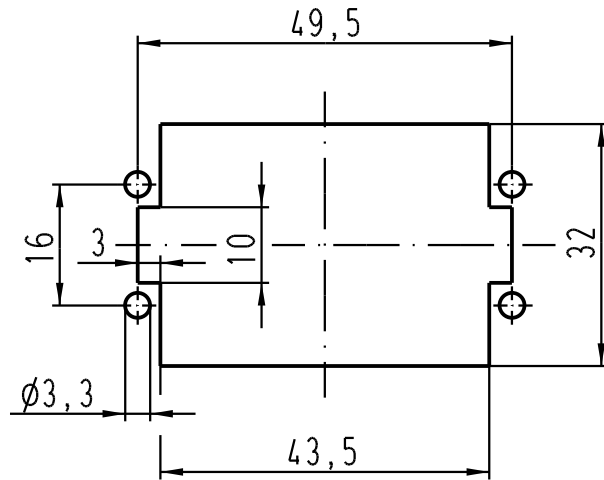
4

3

2

1

Montageausschnitt/
panel cut out



All Dimensions in mm Original Size DIN A 4		Techn. Character.			Nicht tolerierte Masse / Free size tolerances	
			Dat.	Name	Massstab / Scale	Han 15D-M-c Stiftträger / male insert
			Detail.	12.04.99 KR		
			Insp.	SDT.	1:1	
411417	18.01.05	Loe.	Stand.			
410526	18.07.03	Ho	HARTING Electric GmbH & Co. KG		TB 09 21 015 3001	Blatt / page
25626			D-32339 Espelkamp			
Mod.	Dat.	Name			Sub. TB 09 21 0.. 3001 BL.1/2 v. 01.03.93	